

Instruction Manual
Built-In Induction Cooking Plate
Model ZITA CB-35A
Order no. 301-1050

General notes

- Carefully read these instruction manual through as they contain important information.
- It is advisable to keep the instruction manual in a place where you have them always ready to hand. Should you pass the induction cooking plate on to a third party, this instruction manual must be handed on.
- As soon as you have unpacked the induction cooker, check whether everything is in a faultless condition. Should anything be damaged, do not connect the appliance as such, but inform your dealer.
- The induction cooker must only be used for the intended purpose. Improper use can cause damages and lead to the loss of the warranty.
- Before you connect the induction cooker, make sure that the type of current stated on the identification plate corresponds with your mains supply.
- In the case of fault and/or malfunction, pull the plug out of the socket and inform your dealer. He will carry out the repair with original spare parts.
- Please observe the local regulations concerning accident prevention and disposal.
- The manufacturer/dealer cannot be made responsible for damages which arise through not observing these operating instructions. Apart from this, if these instructions are not observed, oven safety is no longer guaranteed.

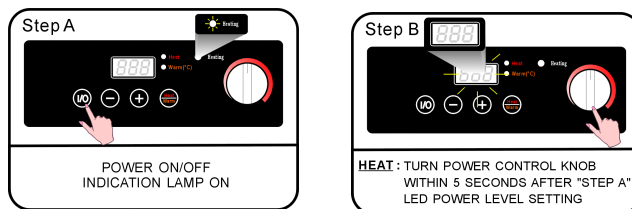
Safety notes

1. Do not touch the cooker and the plug with wet hands.
2. Do not plug into a socket where several other appliances are plugged in.
3. Do not pull the plug out of the socket by the cable.
4. The cable must not hang over table edges and/or sharp edges. It also must not come into contact with the hot appliance surface or with water.
5. Check regularly the cable. If it is damaged, it must be exchanged by a qualified specialist.
6. Use only compatible induction cookware with diameter of 12 to 26 cm.
7. Make sure that the following things are not near to the cooker:
 - inflammable articles, as curtain etc.
 - gas or electric ovens
 - other sources of warmth
 - open fire
 - water armatures
 - devices or objects, which react sensitively to magnetic fields (e.g. radios, TV, cassette recorders etc.)
8. Do not leave the oven unattended while it is in use. Children are not able to realise dangers when handling electronic appliances.
9. Do not place any metal objects on the induction cooker.

10. Do not place any empty containers on the induction cooker.
11. Do not touch the hot surface of the glass field.
12. Before each cleaning session, allow the cooker to cool down and pull the plug out of the socket.
13. Unplug when not in use.
14. Do not operate the induction cooker if it has been damaged in any manner. Disconnect the cooker from the power supply immediately and contact the customer service.
15. Do not insert any objects like wires or tools into the ventilation slots.
16. Repairs may only be undertaken by a qualified specialist using original spare parts.

Safety devices

- To comply with CE safety regulations there are two steps to turn on the induction unit.
First step: Push power ON/OFF key.
Second step: Within 5 seconds, turn power regulating knob OR push temperature select key „+“, „-“.



- Automatic Safety Shut-Off
If the induction unit is left on for more than 60 seconds without a pan or with an incompatible pan, the unit will automatically shut off.
- Material compatibility Detector
If the pan's material or it's dimensions are not suitable for the induction unit, the power indicator light will not light.
- Small Object Detector
The induction unit will not recognize any objects or utensils smaller than 5 cm in diameter. For best results, use pans that are between 12 and 26 cm in diameter.
- Overheating Protection Device
If the temperature of the pan reaches 250°C, and the temperature remains for 60 seconds, the unit will shut off automatically, there will be a short warning sound.

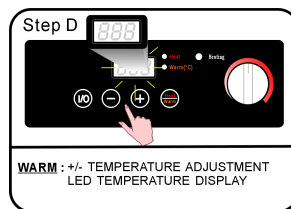
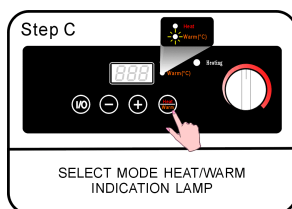
Installation and Start-up

- Ensure electrical supply matches the specifications of the data plate located on the base of the unit.
- Consider for the installation the drawings and dimensions on page 5 of this manual.
- Plug the power plug into a suitable outlet.

- Place induction cookware (diameter 12 to 26 cm) with the food to be cooked in the centre of the hotplate. Do not place the pot or the pan without food on the cooker.
- Press power ON/OFF key, power indication lamp will be on.
- Press the +/- key for 5 seconds, heating lamp will light and LED power level will be displayed.
- If the heating indicator light is on, then the pan is heating.
- Select mode “HEAT” or “WARM” by pressing the required key, the indicating lamp will light.

HEAT

- Press heat function key, heat indicator lamp will light.
- Set heating level by rotating the power control knob 1-19. LED display will show the level settings. (See Step C)



WARM

- Press WARM function key, heat indicator lamp will light.
- Set required temperature by pushing “up arrow” & “down arrow” key. The selection is from 50°C to 240°C, each additional 10°C per step. (See Step D)
- The warm indication light will flash until the required temperature is reached.
- When using the “WARM” mode the rotating power control knob will not function.
- To change from “WARM” to “HEAT” press the heat function key and the power control knob will be activated.

NOTE

If the indicating light is OFF and there is a beeping noise this indicates that

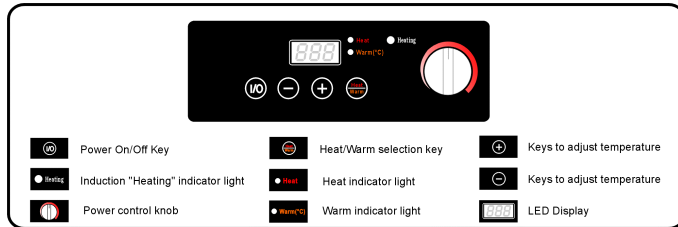
- the pan is not suitable
- there is no pan on the top
- the diameter of the pan is less than 5 cm

The unit is equipped with an **“OVERHEATING PROTECTION DEVICE”**. When the temperature of the cookware base is too hot, the power will cut out. The heating indication light will flash indicating that the over heating function is on.

CAUSE OF OVERHEATING

If an empty pan is placed on the ceramic top and the power level is at maximum the ceramic surface will reach high temperature very quickly. Once the pan is removed from the unit or food/liquid is added to the pan, the surface temperature of the ceramic top will reduce very rapidly.

CONTROL PANEL



CLEANING

- Clean after each use.
- Allow the cooker to cool down.
- Switch off the device and disconnect the power plug from the socket.
- Wipe down the cooker using a dish washing agent and a damp cloth and dry properly.
- Do not use benzine, thinner, scrubbing brush or polishing powder to clean the cooker.

SPECIFICATIONS

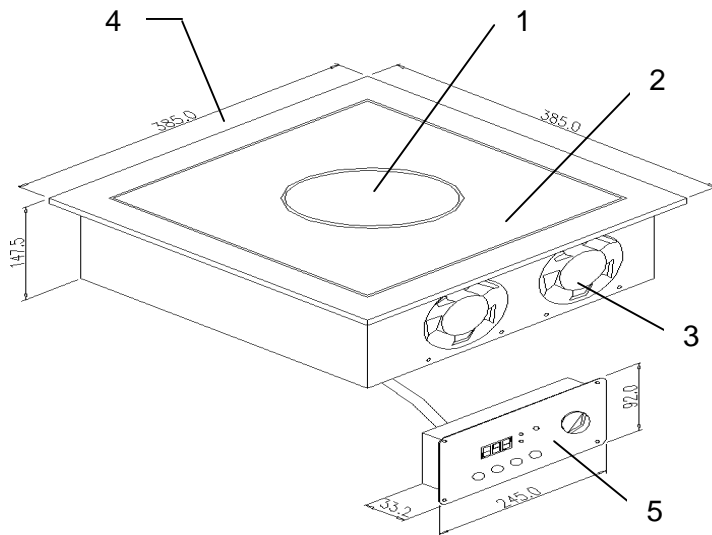
Model No.	ZITA CB-35 A
Voltage	230V / 50Hz / 1 Ph.
Electrical Power Consumption	3,5 kW (heating level 1 – 19)
Temperature adjustment	50° - 240°C
Dimensions	W 385 x D 385 x H 148 mm
Weight	net 13 kg / gross 15 kg

TROUBLE SHOOTING

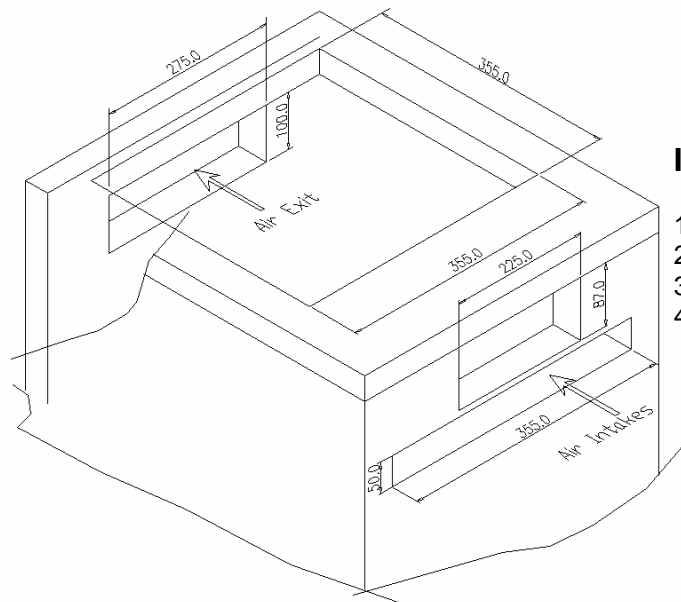
Malfunction

Check.....

No indication light when power „on“	Is the plug in the socket? Broken circuit of fuse? or automatic switch in the power supply
Heating indicator does not light, or is flashing.	Unsuitable cooking utensil No pan on the ceramic top. Utensil is not located at the centre of the plate. Utensil is smaller than 5 cm.
Cooker suddenly stops heating during operation	Over-heating protecting activated Air entrance or outlet is blocked. High ambient temperature



- 1. Induction Heating Zone 3,5 kW
- 2. Component casing
- 3. Air-intake
- 4. Air-outlet
- 5. Remote Control



Installation-Slots

- 1. Control box cut out: 87 mm (H) x 225 (W)
- 2. Air in-take cut out: 50 mm (H) x 355 (W)
- 3. Air exhaust cut out: 100 mm (H) x 275 (W)
- 4. Heating Zone : 355 x 355 mm



For this disposal of the device follow the regulations applicable in your country.