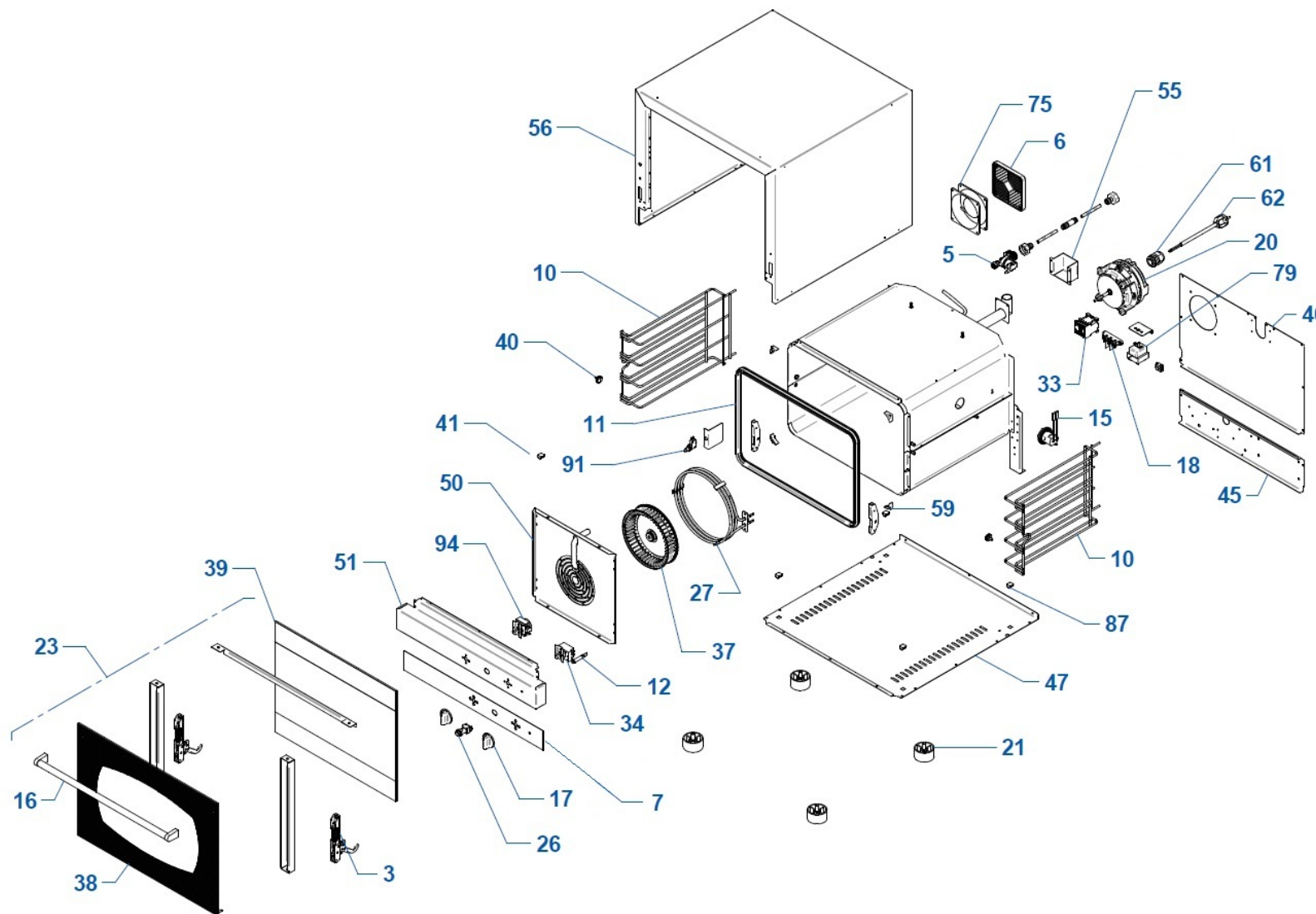


PF6004

- CONV.HUMID.M.OVEN 4T 442x325 600

(print on 22/05/2015)



N	ITEM	N	ITEM
✓ 3	CER30011		
✓ 5	ELE30004		
6	FIL30004		
7	FRO30291		
✓ 10	GRI30079		
✓ 11	GUA30002		
✓ 12	IND30002		
✓ 15	LAM00003		
16	MAG30042		
17	MAN30014		
18	MOR30005		
20	MOT30006		
✓ 21	PIE30004		
✓ 23	POR00049		
✓ 26	PUL30007		
✓ 27	RES30010		
✓ 24	TER30018		
✓ 37	VEN30004		
38	VET00049		
39	VET30082		
40	VIT30001		
41	VIT30042		
45	SCN00011		
46	SCN00012		
47	FON30097		
50	DEF30024		
51	CRU60100		
55	CPR00008		
56	CPR00007		
59	TAP30013		
61	PPC30001		
✓ 62	CAV30014		
75	MOT30035		
79	TER30011		
87	DAD30010		
✓ 91	PUL30006		
✓ 94	PRG30001		

PF6004

- CONV.HUMID.M.OVEN 4T 442x325 600

N	ITEM	DESCRIPTION (ENG)
3	CER30011	DOOR HINGE
5	ELE30004	ELECTROVALVE 1 WAY
6	FIL30004	AIR FILTER
7	FRO30291	ESTHETIC STICKER FOR COMMAND PANEL
10	GRI30079	LATERAL TRAY SUPPORT
11	GUA30002	GASKET
12	IND30002	ORANGE LIGHT
15	LAM00003	COMPLETE LAMP
16	MAG30042	DOOR HANDLE I=712
17	MAN30014	KNOB
18	MOR30005	TERMINAL BLOCK 3 PIN
20	MOT30006	MOTOR
21	PIE30004	ADJUSTABLE FOOT
23	POR00049	COMPLETE DOOR
26	PUL30007	PUSH BUTTON FOR HUMIDIFIER
27	RES30010	HEATING ELEMENT 3000W
34	TER30018	TERMOSTATO REGOLAZIONE 277°C L=1,5MT
37	VEN30004	IMPELLER FAN V200X48
38	VET00049	EXTERNAL GLASS
39	VET30082	INTERNAL GLASS
40	VIT30001	SCREW FOR LATERAL TRAY SUPPORT
41	VIT30042	DEFLECTOR SCREW M5
45	SCN00011	LOWER/REAR OF OVEN
46	SCN00012	HIGHER/REAR OF OVEN
47	FON30097	LOWER SIDE FOR FEET SUPPORT
50	DEF30024	AIR DEFLECTOR
51	CRU60100	FRONTAL PANEL
55	CPR00008	PROTECTION FOR CHIMNEY
56	CPR00007	EXTERNAL COVER
59	TAP30013	PLASTIC CORNER
61	PPC30001	CABLE GLAND M25x1,5 + NUT
62	CAV30014	CABLE
75	MOT30035	MOTOVENT. ASSIALE 120x120 ADDA AA1282HB-AT
79	TER30011	THERMOSTAT
87	DAD30010	NUT FOR FEET
91	PUL30006	DOOR MICRO SWITCH
94	PRG30001	TIMER 0-120 MINUTES

N	ITEM	DESCRIPTION (ENG)
---	------	-------------------