

# Operating instructions **Beverage cooler**

Model: KIM

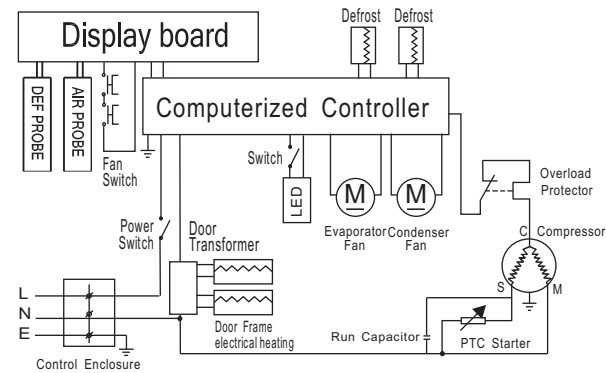
Order no. 325-2145



## **Contents**

1. General information.....	2
2. Technical data.....	3
3. Installation.....	3
4. Maintenance.....	5
5. Trouble shooting.....	5
6. Wiring diagram.....	6
7. Technical and other information.....	6
8. Declaration of conformity.....	6

## 6. WIRING DIAGRAM



## 7. Technical and other information

Beverage cooler

Model: KIM  
 Order No.: 325-2145  
 Content (inner pot): 144 litres

### Materials:

Cabinet: Black matt powder coated  
 Door: Double layer tempered glass door with heat reflection film and heater  
 Shelves: Six chromic racks  
 Thermostat: Digital  
 Illumination: With two LED lights inside, white and blue color, With Light switch  
 Inner liner: Aluminum  
 Refrigerant: R600a/33g   
 Unit weight: 67 kg (net), 74.5 kg (gross)  
 Unit dimensions: B 870 x D 535 x H 845 mm  
 Connection: 230V/1Ph./50 Hz

Manufactured for: Saro Gastro-Products GmbH  
 Sandbah 6

46446 Emmerich am Rhein - GERMANY  
 Tel: +49 (0)2822-9258-0 Fax: +49 (0)2822 18192  
 Email: info@saro.de Internet: www.saro.de

## 8. Declaration of conformity

The device complies with the current standards and directives of the EU.  
 If necessary we provide you with the corresponding declaration of conformity.

#### 4. MAINTENANCE

- Before cleaning the cooler always remember to unplug it.
- Unplug the cooler at the electrical outlet; never pull the service cord.
- Do not use sharp objects for cleaning.
- Clean the inside cabinet of cooler with a clean damp cloth or with neutral soap. Avoid damage by never using abrasive or flammable cleaning products.
- Clean the condenser at least once a month with a vacuum cleaner or a brush to eliminate the dust accumulation.
- Do not wash the cooler with direct, or high pressure water jets.

#### 5. TROUBLE SHOOTING

Often problems that occur during normal operation can be resolved without the assistance of a specialized technician, verify the following:

- a) The appliance does not operate.
  - Check that the plug is correctly into the electrical outlet.
  - Verify that there is voltage at the electrical outlet
- b) The product is too warm.
  - Check the setting of the thermostat. (See Testing Section)
  - Check the closing of the door, and ensure door gasket seals.
  - Check that the interior fan is operating, and not blocked.
  - Check and clean the condenser
- c) The appliance is excessively noisy.
  - Verify the equipment is level.
  - Ensure that the equipment is not touching other equipment that could cause vibration.

*Prepare to answer the following:*

- The type of problem: (electrical, mechanical)
- The model, code and serial number of the cooler can be found on the manufacturer label attached to the interior wall of the cooler.

#### 1. GENERAL INFORMATION

The purpose of this document is to provide important information regarding the installation, use and maintenance of this SnoMaster Alfresco Beverage Cooler .

SnoMaster will not be liable for parts or labor coverage for component failure or other damages resulting from improper usage, installation, failure to clean and/or maintain this product as set out in these instructions.

##### 1.1 GENERAL USE

If the supply cord is damaged, it must be replaced by the manufacturer, its approved service agent or similarly qualified persons in order to avoid any hazard.

**WARNING:** Keep all ventilation openings clear of obstruction.

**WARNING:** Do not use mechanical devices or other means to accelerate the defrosting process, other than those recommended by the manufacturer.

**WARNING:** Do not damage the refrigerant circuit.

**WARNING:** Do not use electrical appliances inside the food storage compartments of the appliance, unless they are of the type recommended by the manufacturer.

Do not Store explosive substances such as aerosol cans with a Flammable propellant in this appliance.

Correct Disposal of this product



This marking indicates that this product should not be disposed with other household wastes throughout the EU. To prevent possible harm to the environment or human health from uncontrolled waste disposal, recycle it responsibly to promote the sustainable reuse of material resources.

To return your used device, please use the return and collection systems or contact the retailer where the product was purchased.



Caution: risk of fire.

## 1.2 TESTING



Setting the inner temperature of the cooler, Press " **Set** " button for 3 seconds and then adjust the temperature.

" **▲ LED** "to increase the temperature " **▼ SILENT** " to decrease the temperature

The temperature range is from 23°F (-5°C) to 50°F (10°C).

" **▲ LED** "To change the Interior LED Light from White to Blue and off

" **▼ SILENT** "silent mode button , this reduces the fan speed reducing the noise.

" **⏻** "On/Off Power button .

## 1.3 DEFROST FUNCTION

1.)The cooler has automatic defrost function

2.) Temperature Probe error

a.If the cabinet temperature probe is damaged the digital display will flash "Er1";

b.If the evaporator probes is damaged the digital display will flash "Er2"

## 1.4 RESPONSIBILITY OF THE CUSTOMER

Ensure that the electrical outlet is earthed . Make sure that the cooler is placed on a level surface.

## 2. TECHNICAL DATA

### 2.1 MATERIALS AND REFRIGERANTS

Interior or exterior surfaces that come into contact with the products are made of galvanized steel. Aluminium or non-toxic plastic materials.

The Refrigerant used is approved by government regulations.

The type and quantity of the gas charged, in the refrigeration unit, is indicated on the data plate.

## 3. INSTALLATION

For safe proper operation, follow the manufacturer's instructions reported in this section.

### 3.1 POSITIONING

The cooler must be placed in an adequately ventilated room. Keep away from heat sources, such as radiators or air conditioning pipes.

Allow free air circulation to the refrigerator unit.

The ambient temperature must not be higher than 32°C.

This appliance climate class is 4

Testroom climateclass	Drybulb temperature°C	Relative humidity%	Dewpoint°C	Waterweightin dryair/kg
0	20	50	9.3	7.3
1	16	80	12.6	9.1
2	22	65	15.2	10.8
3	25	60	16.7	12
4	30	55	20.0	14.8
5	40	40	23.9	18.8
6	27	70	21	15.8
7	35	75	30	27.3

3.1.1 Cooler Leveling: To provide the best performance the cooler must remain level.

### 3.2 ELECTRICAL CONNECTION

**WARNING DO NOT USE EXTENSION CORDS**

If the light bulb is damaged, it must be replaced with a similar size, power and shape . and must be replaced by the manufacturer or its approved service agent

The manufacturer is not responsible for damages or accidents arising from the misuse or disregard of electrical laws relevant to the country where the cooler is used.