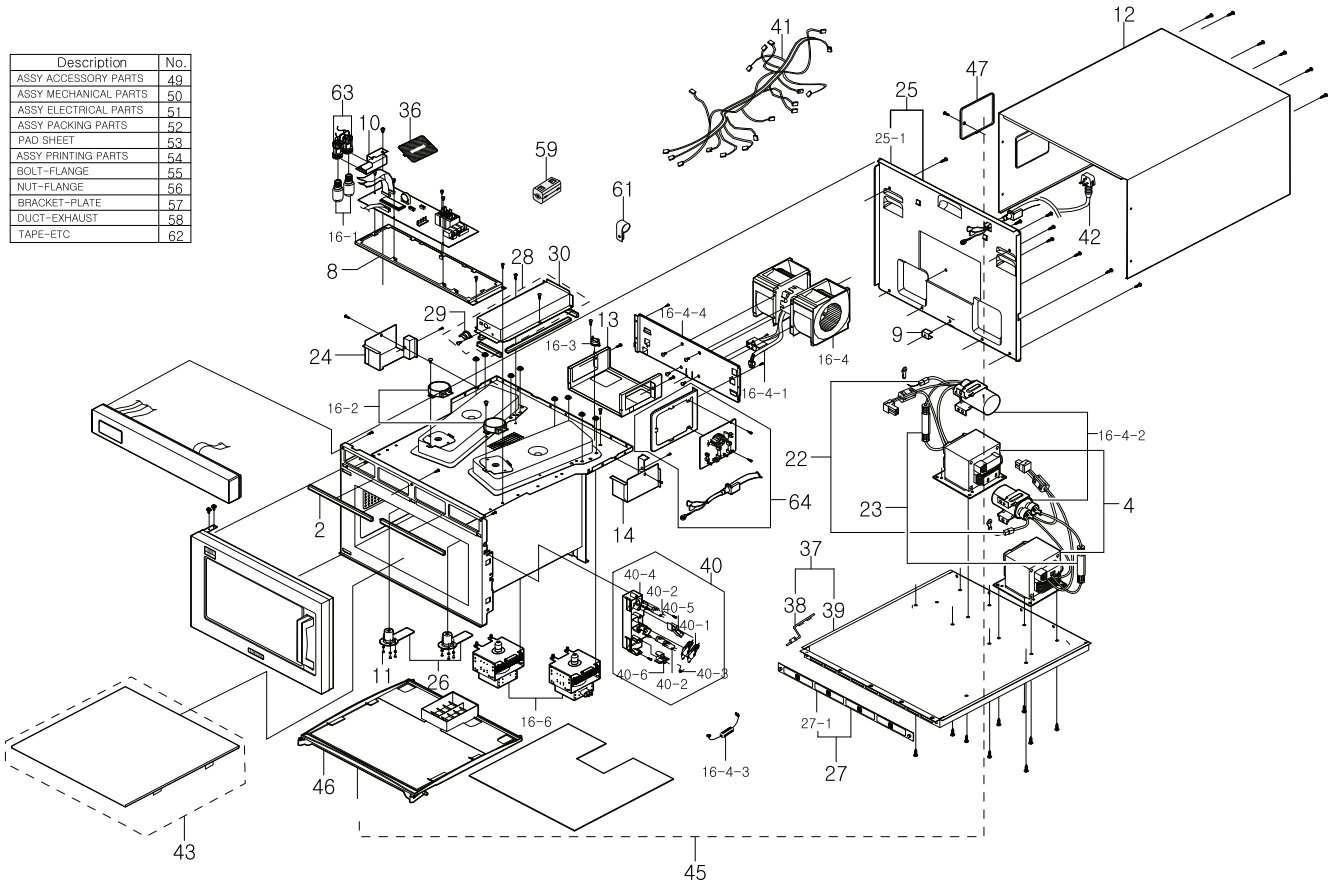


1. Main

Exploded View



Description	No.
ASSY ACCESSORY PARTS	49
ASSY MECHANICAL PARTS	50
ASSY ELECTRICAL PARTS	51
ASSY PACKING PARTS	52
PAD SHEET	53
ASSY PRINTING PARTS	54
BOLT-FLANGE	55
NUT-FLANGE	56
BRACKET-PLATE	57
DUCT-EXHAUST	58
TAPE-ETC	62

Parts List

No.	Lvl.	Loc.	Material Code	Description & Specification	SNA	Qty.
2	2	M066	DE01-00095A	FILM-LAMP; PET,PET,84,T0.15,114,CM-1819,H	SNA	1
4	2	M038	DE26-00058B	TRANS H.V; SHV-906EG2,240V,50Hz,2460V/3.4	SA	2
8	2	R066	DE61-50520A	BRACKET-PCB; EGI-SECC,T0.8,CM-1819	SA	1
9	2	M011	DE61-50541A	BRACKET-EARTH; GI-SGCC,T1.0,W15,L8	SNA	1
10	2	U003	DE61-90318A	HOLDER-LAMP; W134,EGI-SECC,W134,L40.5,L40	SA	1
11	2	M078	DE69-90054A	CLIP-STIRRER; 5mm,TEFLON-PFA,CM1819/29	SA	6
12	1	M001	DE70-30123A	PANEL-OUTER; STAINLESS-ST5430,T0.6,CM-181	SA	1
13	2	P046	DE72-50088A	DUCT-FAN; CM-1819,ALCOT,T0.5	SA	1
14	2	P048	DE72-50089A	DUCT-MGT/R; CM-1819,EGI-SECC,T0.5	SA	1
16-1	2	M036	4713-000168	LAMP-INCANDESCENT; 230V,25W,ORG	SA	2
16-2	2	M049	DE31-10164B	MOTOR SYNCHRONOUS; M2CK34A709-H(B),120V60	SA	2
16-3	2	M029	DE47-20017A	THERMOSTAT; NT-101,125/250V,1505,6015	SA	1

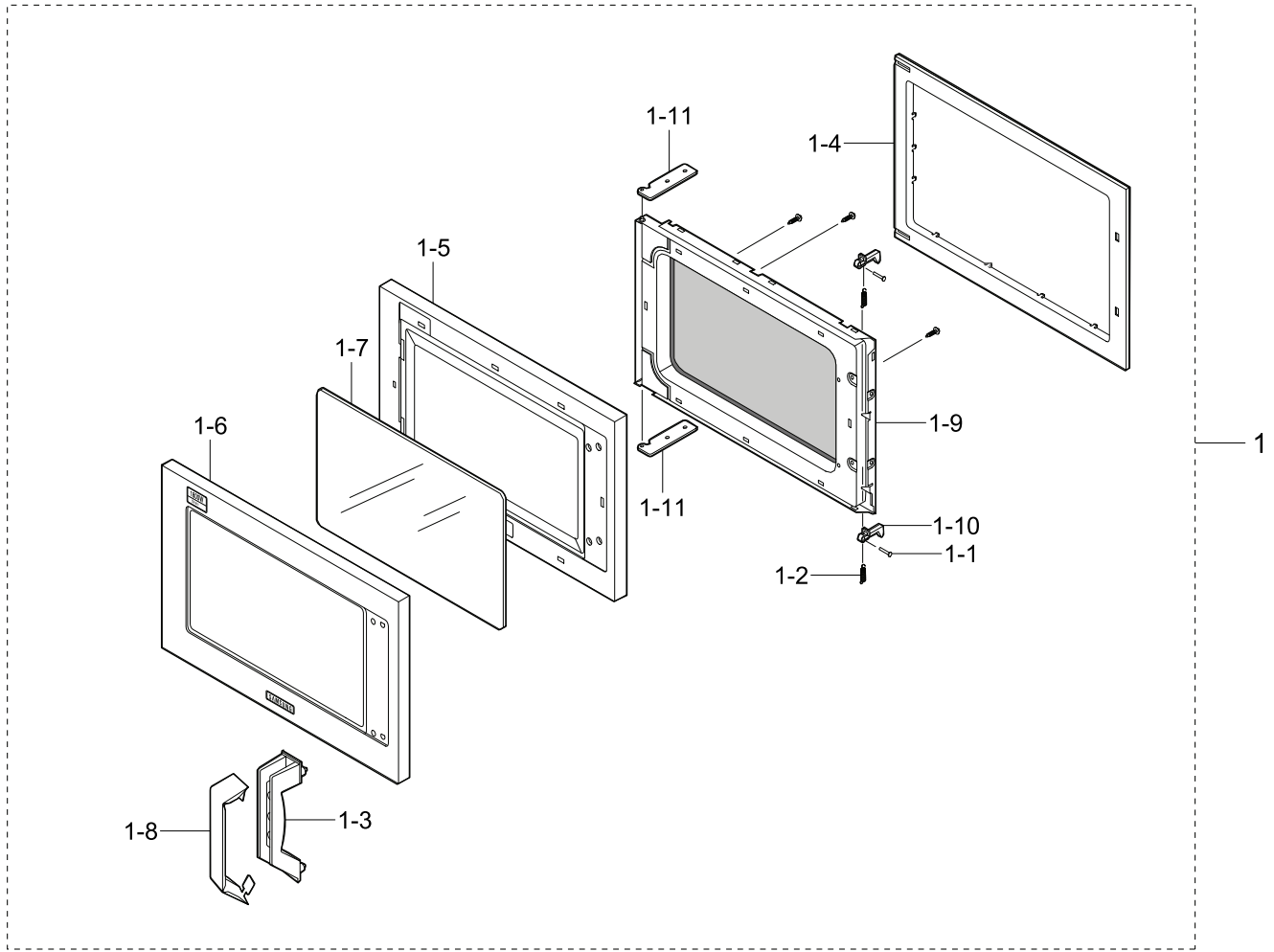
Exploded Views and Parts List

No.	Lvl.	Loc.	Material Code	Description & Specification	SNA	Qty.
16-4	2	M020	DE91-50093R	ASSY MOTOR FAN; CM1619/1629,-,240V,-,COMM	SA	1
16-4-1	3	C309	2301-001375	C-FILM,LEAD-OTHER; 1500nF,+10-5%,450V,BK,	SA	1
16-4-2	3	M039	2501-001282	C-OIL; 1.00uF,2100V(CLASS P),AL CAN TYPE,	SA	2
16-4-3	3	M527	DE59-00002A	DIODE-H.V; MWO ALL,2CL4512H,-,450mA 13KV,	SA	2
16-4-4	3	M112	DE61-30189A	SUPPORT-FAN-MOUNT; EGI-SECC,T1.0,CM-1819	SA	1
16-6	2	M035	OM75P-20-ESRN	MGT; MGT		2
22	5	M041	0402-000137	DIODE-RECTIFIER; 1N4007,1000V,1A,DO-41,TP	SNA	3
23	2	M042	DE91-70061A	ASSY H.V.FUSE; -,THV060T-0800-H,5KV/0.80A	SA	2
24	2	P047	DE72-50090A	DUCT-MGT/L; CM-1819,EGI-SECC,T0.5	SA	1
25	2	P074	DE92-90514A	ASSY-BACK COVER; CM-1819,-,CM-1829,	SA	1
25-1	3	P186	DE71-60421A	COVER-BACK; EGI-SECC,T0.6,W481.8,L363.9,C	SA	1
26	2	P001	DE92-90515A	ASSY STIRRER; CM-1819/CM-1829,-	SA	2
27	2	M425	DE92-90516B	ASSY BRACKET-FILTER; CM1819,-,-,-	SA	1
27-1	3	P003	DE61-50521B	BRACKET-FILTER; CM1819,STAINLESS-ST5430,T	SNA	1
28	2	P267	DE92-90519A	ASSY DUCT-AIR; CM1819/29,-,-,CM1819/29	SA	1
29	3	M029	DE47-20169A	THERMOSTAT; NT-101,125/250V,1005,6015	SA	1
30	3	P019	DE72-50091A	DUCT-OVEN; CM-1819,STAINLESS-ST5430,T0.4	SNA	1
36	2	M129	DE92-90533A	ASSY-LAMP HOLDER; CM1819/CM1829,-,-	SA	1
37	2	M155	DE93-10106C	ASSY BASE PLATE; CM1819,SECC,-,-	SA	1
38	3	P076	DE61-50546A	BRACKET-BASE; EGI-SECC,T1.0,W25,L34	SNA	2
39	3	M048	DE80-10113C	BASE-PLATE; CM1819,EGI-SECC,T1.0	SNA	1
40	1	B022	DE93-20097E	ASSY BODY LATCH; CM1819/1829,EUROPE	SA	1
40-1	2	B048	3405-001034	SWITCH-MICRO; 125/250VAC,16A,200gf,SPST-N	SA	1
40-2	2	B046	3405-001032	SWITCH-MICRO; 125/250VAC,16A,200GF,SPDT	SA	2
40-3	2	B005	DE61-00066A	SPRING-Q; CM1819/1829,MSWR-SWRM,PI0.8	SNA	1
40-4	2	B077	DE66-40062A	LATCH-BODY; CM-1819,PBT,-,-,-,-	SA	1
40-5	2	B012	DE66-90107A	LEVER-SWITCH(U); -,PBT,CM-1819,-,-,-,-	SA	1
40-6	2	B013	DE66-90108A	LEVER-SWITCH(L); -,PBT,CM-1819,-,-,-,-	SA	1
41	1	W002	DE96-00503A	ASSY WIRE HARNESS-A; CM1929,230V/50HZ,VI	SA	1
42	2	M015	DE96-00639B	ASSY POWER CORD; CEE,Flag,250V/16A,H07RN-	SNA	1
43	2	T002	DE97-00319B	ASSY-TRAY CERAMIC; CM1929A/XEU,MWO-COMMER	SA	1
45	2	C165	DE97-00562A	ASSY COVER PANEL; CM1019,PP+SGL,-,-	SA	1

No.	Lvl.	Loc.	Material Code	Description & Specification	SNA	Qty.
46	3	M087	DE63-00315A	COVER-STIRRER; CM1019,PP,NATUAL	SA	1
47	3	M051	DE63-00324A	COVER-CEILING; CM1019,MICA SHEET,T1.0,W23	SA	1
49	1		DE94-02838A	ASSY ACCESSORY PARTS; CM1519-1/XEU,0.9 CU	SA	1
50	1		DE94-02839A	ASSY MECHANICAL PARTS; CM1519-1/XEU,0.9 C	SA	1
51	1		DE94-02840A	ASSY ELECTRICAL PARTS; CM1519-1/XEU,0.9CU	SA	1
52	1		DE98-01223A	ASSY PACKING PARTS; CM1519-1/XEU,0.9 CU.F	SA	1
53	2		DE69-00909A	PAD SHEET; ALL MODEL CMO,HDPE,T0.03,W400,	SA	1
54	1		DE98-01222B	ASSY PRINTING PARTS; 0.9 CU.FT,CM1519A-1/	SA	1
55	2	X036	DE60-20014A	BOLT-FLANGE; MSWR-SWRM,L10,FEFZY,M5,FEFZY	SA	5
56	2	H024	DE60-30015A	NUT-FLANGE; MSWR-SWRM,P0.8,FEFZY	SA	8
57	2	P073	DE61-50538A	BRACKET-PLATE; EGI-SECC,T1.0	SA	1
58	3	P026	DE72-50087A	DUCT-EXHAUST; ALCOT,T0.6	SA	3
59	2	M052	DE73-90027A	FERRITE-CORE; T13.8,NI-ZN,BNF-14(K150),L2	SA	2
61	2	M058	6502-001056	CABLE CLAMP; DAWH-2NC,ID18.5,NYLON6/6,NTR	SNA	2
62	2		DE02-00168A	TAPE ETC; OPP,-,W72,L1000,TRANSPARENT	SA	2
63	2	M102	DE47-40029A	SOCKET-LAMP; 250V2A,-,-,22.23,E14,-,-,-,-	SA	2
64	1		DE94-03068C	ASSY HOLDER; CM1519A-1	SA	1

1.1. Assy Door

Exploded View



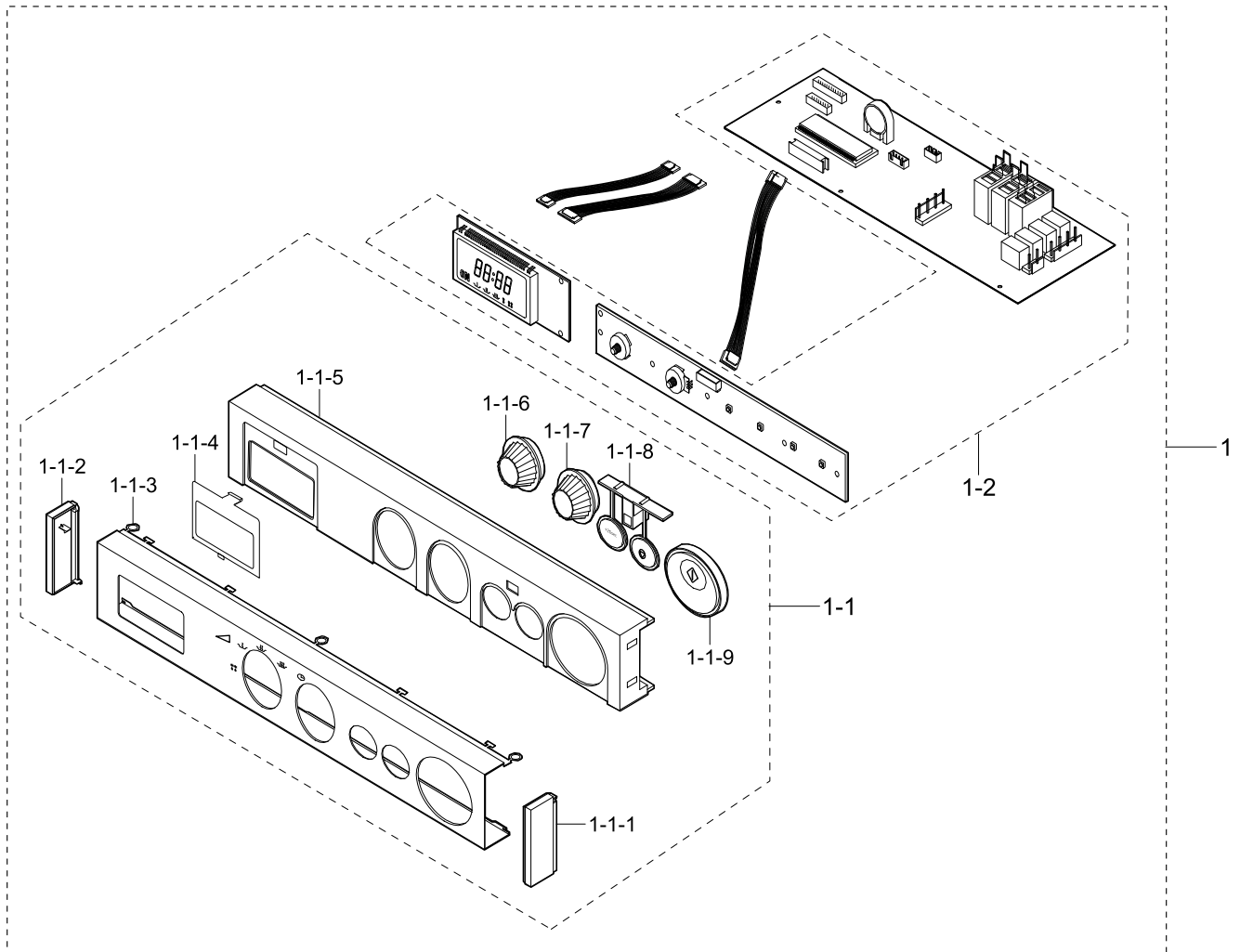
Parts List

No.	Lvl.	Loc.	Material Code	Description & Specification	SNA	Qty.
1	1	D049	DE94-02846B	ASSY DOOR; CM1519-1/XEU,STS	SA	1
1-1	2	D018	DE60-60080A	PIN-KEY; STAINLESS-ST304,L21	SA	2
1-2	2	D007	DE61-70144A	SPRING-KEY; HSWR-SWRH,PI1.0,OD6.5,L32.8,2	SNA	2
1-3	2	D019	DE64-20123A	HANDLE; CM-1819,ZN,-,-,-,-,CM-1819,-	SNA	1
1-4	2	D006	DE64-40298A	DOOR-C; -,PP,-,-,-,-,-,-	SNA	1
1-5	2	D021	DE64-90145A	DECORATION DOOR; CM-1819,ABS,-,GE BLACK,K	SNA	1
1-6	2	D022	DE64-90146A	DECORATION COVER DOOR; STAINLESS-ST304,C	SNA	1
1-7	2	D003	DE67-20174Y	SCREEN-DOOR; CM1519-1/XEU,GLASS,T3.2,W364	SA	1
1-8	2	D026	DE71-60433A	COVER-HANDLE; STAINLESS-ST304,T0.5,CM-18	SNA	1

No.	Lvl.	Loc.	Material Code	Description & Specification	SNA	Qty.
1-9	2	D004	DE92-50132B	ASSY DOOR E; CM-1819,-,BLK,COATING	SNA	1
1-10	2	D011	DE64-40296B	DOOR-KEY; CMO COMMERCIAL,CR3C + ZINC DIEC	SA	2
1-11	2	D008	DE61-80138A	HINGE; EGI-SECC,T3.0,W24.5,L29.5	SA	2

1.2. Assy Control

Exploded View



Parts List

No.	Lvl.	Loc.	Material Code	Description & Specification	SNA	Qty.
1	1	C082	DE94-02181E	ASSY CONTROL BOX; CM1519-1/XEU,230V50HZ,B	SNA	1
1-1	2	C001	DE93-30528P	ASSY CONTROL PANEL; CM1519-1/XEU,BLACK,ST	SA	1
1-1-1	3	C023	DE71-60429B	COVER-PANEL(L/R); CM1019,ABS,-,-,-,-,-,-,-	SA	1
1-1-2	3	C022	DE71-60428B	COVER-PANEL(L/L); CM1019,ABS,-,-,-,-,-,-,-	SA	1
1-1-3	3	C021	DE71-60427A	COVER PANEL; STAINLESS-ST5430,T0.5,-,-	SA	1
1-1-4	3	C009	DE67-40161B	WINDOW-DISPLAY; CM1929,PMMA,SMOG	SA	1
1-1-5	3	C020	DE70-30126A	PANEL-BASE; ABS,ME,CM-1819	SNA	1
1-1-6	3	C027	DE64-10143A	KNOB-POWER; ABS,Ni,Cr-plating	SA	1
1-1-7	3	C031	DE64-10144A	KNOB-TIMER; ABS,Ni,Cr-plating	SA	1
1-1-8	3	C010	DE66-20211D	BUTTON-SELECT; CM1519-1/XEU,ABS	SA	1

No.	Lvl.	Loc.	Material Code	Description & Specification	SNA	Qty.
1-1-9	3	C019	DE66-20212D	BUTTON-START; CM1529-1/XEU,ABS,0.9 CU.FT	SA	1
1-2	2	F316	DE92-03495C	ASSY PCB MAIN; EUP / RCS-SMS2CM-21,CM1619	SA	1