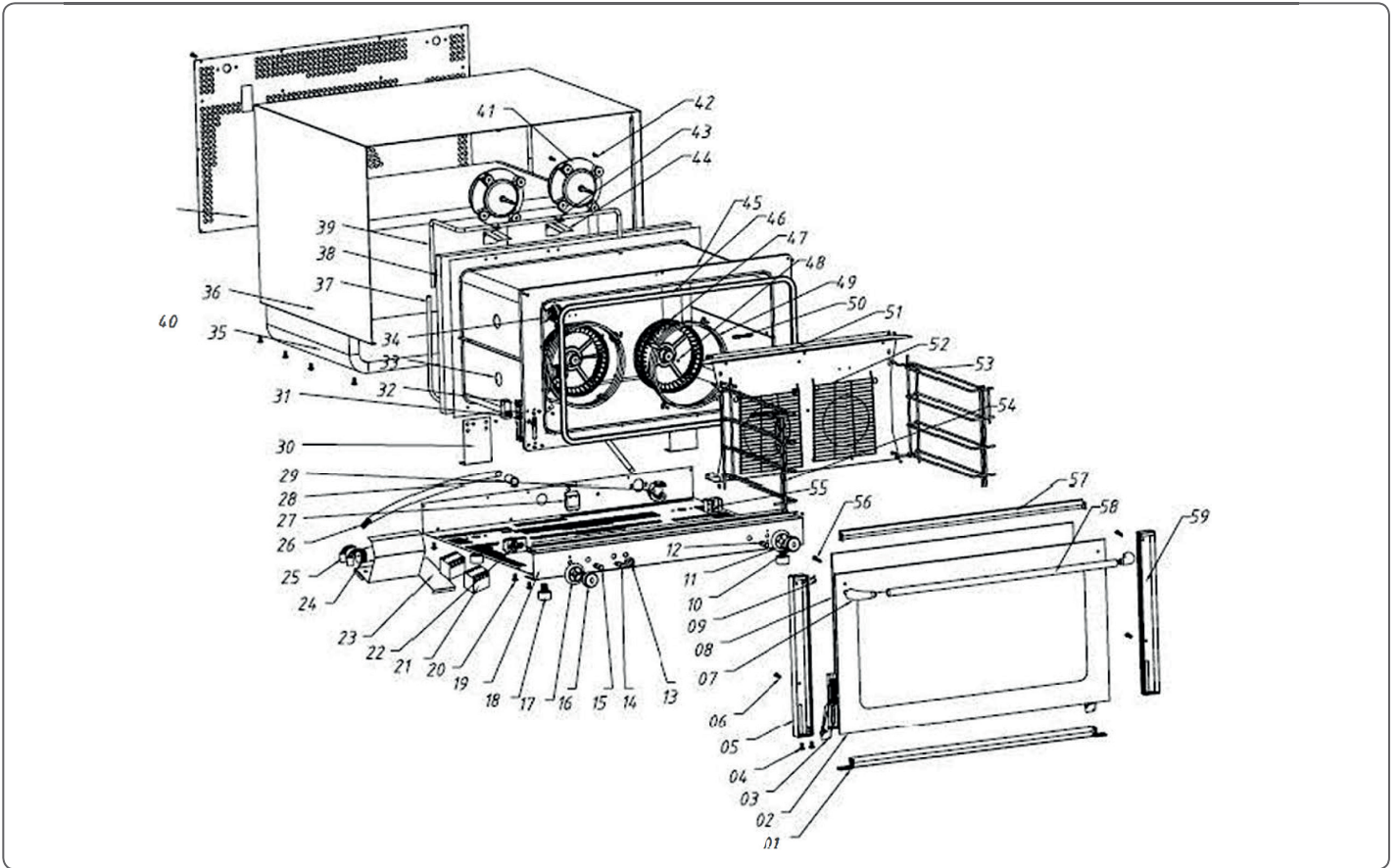


1. Modell RIMINI, 400 Volt, Bestell Nr.: 429-4010

2. Ausführung in 230 Volt



**Bill of Materials**

NO	Name	Material	Specification	Qty
01	Lower cross beam	SS	735x25x24	1
02	Outside toughened glass	Toughened glass	813x447x4	1
03	Door hinge	Zinc plating		2
04	Pan head screw	SS	M4x10	4
05	left doorpost	SS	449x42x32	1
06	Round head screw	SS	M5x8	2
07	Handle holder	Black plastic		2
08	Inner toughened glass	Toughened glass	728x442x5	1
09	Tapping screw	SS	M4x 8	8
10	Thermostat knob	Bakelite	φ40	1
11	Thermostat knob dial	Bakelite	φ58	1
12	Indicator/green			1
13	Switch	220V 10A	R13-507	1
14	Indicator/green			1
15	Indicator/green		φ40	1
16	Timer knob	Bakelite		1
17	Timer knob dial	Bakelite	φ58	1
18	Foot	Bakelite		4
19	Control panel	SS	830x93x49	1

20	Tapping screw	chromeplating	M4x8	15
21	AC contactor		250 V 20A	2
22	Timer		220V 105MIN	1
23	Electric support	Cast aluminum		1
24	Fan controller		250V 10A	1
25	Capacity		450V 3.0UF 85°C	2
26	Power cord			1
27	Temperatur limiter		340°C	1
28	Power cord jacket	plastic	PG21	1
29	Electromagnetic valve		250V	1
30	Chamber support plate		122.5x82x33.5	2
31	Travell switsch		250V 16A	1
32	Door hinge holder			2
33	Lamp base			2
34	Lamp		220V/15W	2
35	Insulation cotton			1
36	Shell	SS		1
37	Inlet hose	Black plastic	Interior Diameter $\phi$	1
38	Insulation cotton		800x468x30	1
39	Inlet pipe	SS	$\phi$ 9x1.0	1
40	Back board	Cast aluminum	829x479	1
41	Motor		230V 2450RPM	2
42	Screw bolt		M6x25	6
43	Presser bit for pipe	SS		2
44	Piper fixer	SS		2
45	Chamber		830x463x523	1
46	Door seal	Silicon gel	774x377	1
47	Fan	SUS316		2
48	Nut	SS	M5	2
49	Heating elements	SS	230V/50HZ 3.1 KV	2
50	Buckle for rack	SS		2
51	Fan cover board	SS		1
52	Fun cover		229x180	2
53	Right rack			1
54	Left rack			1
55	Thermostat		250V 300°C	1
56	Sunk screw		M5x20	2
57	Door cross beam	SS		1
58	Handle	SS	$\phi$ 19x2.0	1
59	Right doorpost	SS	449x42x32	1