

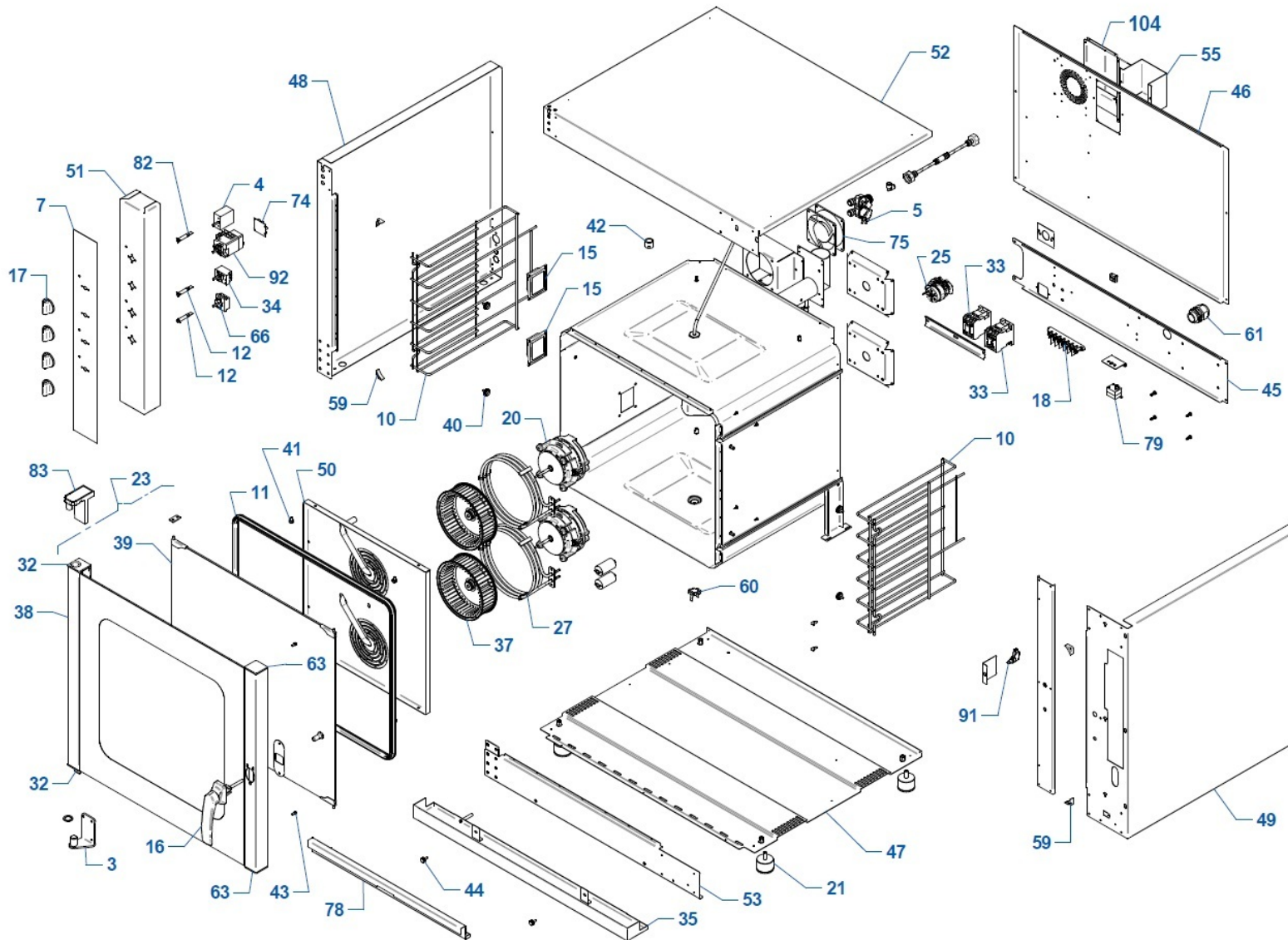
PF9006

- COMBI STEAM OVEN 6 TRAYS 600X400 - GN 1/1



your professional cooking

(print on 22/05/2015)



N	ITEM	N	ITEM
✓ 3	CER30020	63	TAP30011
4	COM30001	✓ 66	TER30004
5	ELE30005	74	SCH30018
7	FRO30205	75	MOT30035
10	GRI30083	78	VAS30003
11	GUA30015	79	TER30013
✓ 12	IND30002	82	IND30001
✓ 15	LAM00001	83	CER30004
16	MAG30045	91	PUL30006
17	MAN30014	✓ 2	PRG30006
✓ 18	MOR30004	104	CPR00075
✓ 20	MOT30025		
✓ 21	PIE30008		
✓ 23	POR02084		
✓ 25	PRG30005		
✓ 27	RES30009		
32	TAP30010		
32	TAP30012		
✓ 33	TEL30005		
✓ 34	TER30018		
35	VAS30008		
37	VEN30005		
38	VET02084		
39	VET00001		
40	VIT30001		
41	VIT30042		
42	TAP30027		
43	VIT30059		
44	VIT30060		
45	SCN00001		
46	SCN00078		
47	FON30096		
48	FIA30047		
49	FIA30048		
50	DEF30101		
51	CRU60091		
52	FAC30028		
53	FAC30029		
55	CPR00001		
59	TAP30013		
60	TAP30019		
61	PPC30003		

PF9006

- COMBI STEAM OVEN 6 TRAYS 600X400 - GN 1/1

N	ITEM	DESCRIPTION (ENG)	N	ITEM	DESCRIPTION (ENG)
3	CER30020	CERNIERA INF. PORTA MARCOPOLO COLOMBO	63	TAP30011	TAPPO DX PLAST.MONTANTE VERT.PORTA
4	COM30001	MAIN SWITCH	66	TER30004	THERMOSTAT ELECT. HUMIDIFIER
5	ELE30005	ELECTROVALVE 2 WAYS	74	SCH30018	BUZZER BOARD
7	FRO30205	STICKER	75	MOT30035	MOTOVENT. ASSIALE 120x120 ADDA AA1282HB-AT
10	GRI30083	REGGITEGLIE UNIVERSALE 9006 INOX	78	VAS30003	INNER GLASS WATER COLLECTOR
11	GUA30015	GUARNIZIONE FORNO RIBASSATA UG0434	79	TER30013	SECURITY THERMOSTAT
12	IND30002	ORANGE LIGHT	82	IND30001	GREEN LIGHT
15	LAM00001	LAMP COMPLETE	83	CER30004	PLASTIC HIGHER DOOR HINGE
16	MAG30045	MANIGLIA R020592-1625+AGGANCIO R020595	91	PUL30006	DOOR MICRO SWITCH
17	MAN30014	KNOB	92	PRG30006	TIMER
18	MOR30004	TERMINAL	104	CPR00075	COPERCHIO USCITA VENTILATORE ASSIALE ZN
20	MOT30025	MOTOR			
21	PIE30008	PIEDINO X304 D.52MM H35MM C/VIT M10X25			
23	POR02084	COMPLETE DOOR			
25	PRG30005	CHIMNEY ELECTROVALVE REGULATOR			
27	RES30009	HEATING ELEMENT 4500W			
32	TAP30010	TAPPO INF.SX PLAST.MONTANTE VERT.PORTA			
32	TAP30012	TAPPO SUP.SX PLAST.MONTANTE VERT.PORTA			
33	TEL30005	CONTACTOR			
34	TER30018	TERMOSTATO REGOLAZIONE 277°C L=1,5MT			
35	VAS30008	BOX FOR WATER CONDENSATION			
37	VEN30005	FAN			
38	VET02084	EXTERNAL GLASS			
39	VET00001	INTERNAL GLASS			
40	VIT30001	SCREW FOR LATERAL TRAY SUPPORT			
41	VIT30042	DEFLECTOR SCREW M5			
42	TAP30027	TAPPO PER LAVAGGIO			
43	VIT30059	PLASTIC SCREW FOR INTERNAL GLASS			
44	VIT30060	PLASTIC SCREW M5x15			
45	SCN00001	LOWER/REAR OF OVEN			
46	SCN00078	SCHIENA SUPERIORE PF9006-PF9006D			
47	FON30096	BOTTOM OVEN			
48	FIA30047	LEFT OVEN PANEL			
49	FIA30048	RIGHT OVEN PANEL			
50	DEF30101	DEFLETTORE ARIA 6T SERIE 20-21			
51	CRU60091	COMMAND PANEL			
52	FAC30028	TOP OVEN			
53	FAC30029	FRONT OVEN			
55	CPR00001	PROTECTION FOR CHIMNEY			
59	TAP30013	PLASTIC CORNER			
60	TAP30019	CAP FOR WATER DISCHARGE			
61	PPC30003	CABLE GLAND M32X1,5 + NUT			