

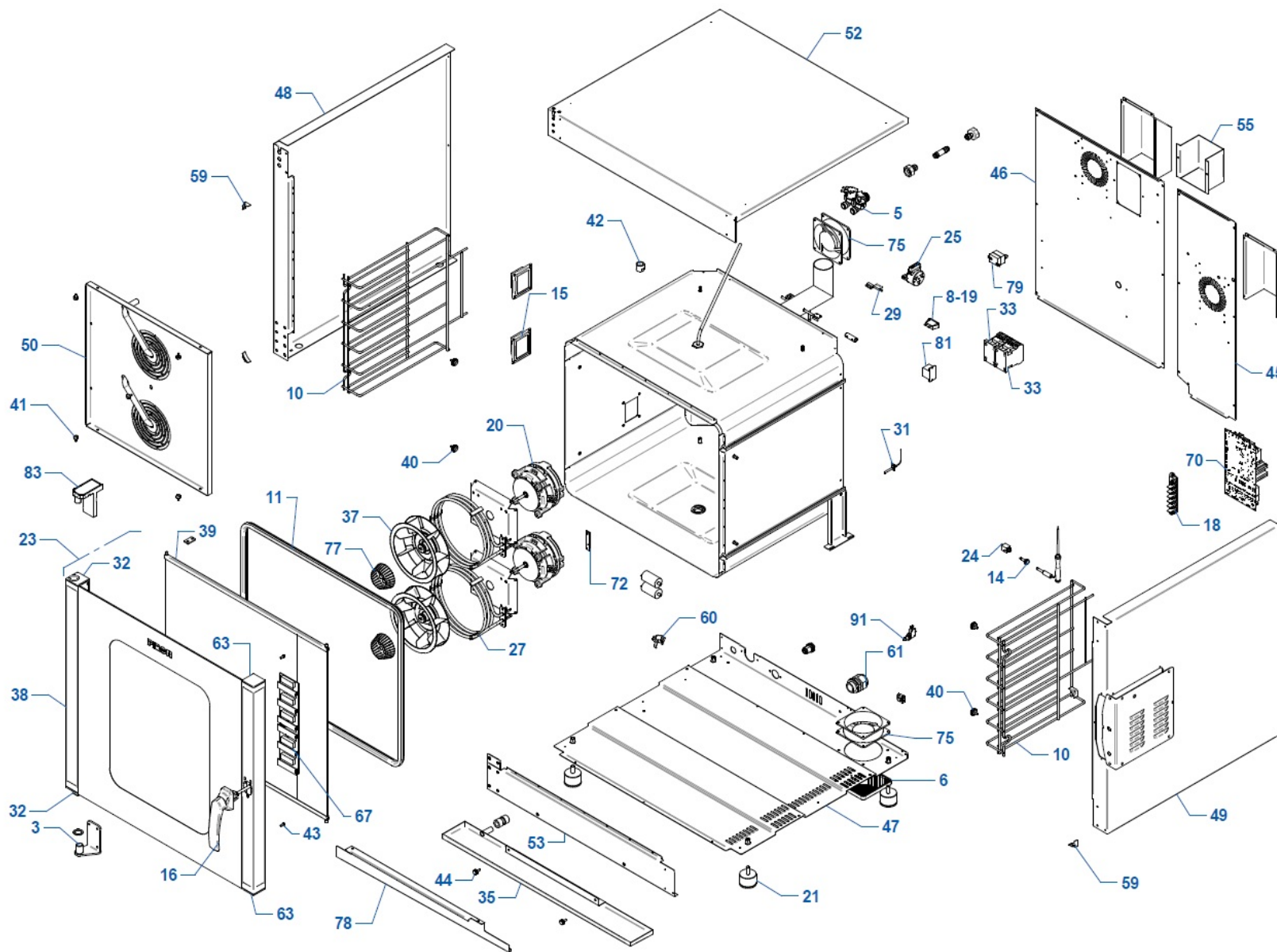
PF1006_PI1

- SENSITIVE COMBI STEAM OVEN 6T SERIE 10



your professional cooking

(print on 22/05/2015)



N	ITEM	N	ITEM
✓ 3	CER30020	77	VEN30010
✓ 5	ELE30005	78	VAS30021
6	FIL30004	79	TER30013
✓ 8	FUS30001	81	INT30004
✓ 11	GUA30015	83	CER30004
✓ 14	JAC30002	91	PUL30006
✓ 15	LAM00001	104	CPR00066
16	MAG30045		
18	MOR30004		
19	PFU30001		
✓ 20	MOT30025		
23	POR00161		
24	PRE00001		
✓ 25	MOT30031		
✓ 27	RES30009		
29	SEN30005		
29	SEN30007		
31	SON30002		
32	TAP30010		
32	TAP30012		
33	TEL30005		
✓ 35	VAS30019		
✓ 37	VEN30012		
38	VET00161		
39	VET01001		
40	VIT30001		
41	VIT30042		
42	TAP30027		
43	VIT30059		
44	VIT30060		
45	SCN00070		
48	FIA30069		
52	FAC30040		
53	FAC30041		
55	CPR00009		
59	TAP30013		
60	TAP30019		
61	PPC30003		
✓ 63	TAP30011		
✓ 67	SCH30024		
✓ 72	SCH30006		
✓ 75	MOT30009		

N	ITEM	DESCRIPTION (ENG)	N	ITEM	DESCRIPTION (ENG)
3	CER30020	CERNIERA INF. PORTA MARCOPOLO COLOMBO	77	VEN30010	SINGLE FLOW IMPELLER 240-88
5	ELE30005	ELECTROVALVE 2 WAYS	78	VAS30021	RACCOGLI GOCCE VETRO INTERNO SERIE 10-11-20-21
6	FIL30004	AIR FILTER	79	TER30013	SECURITY THERMOSTAT
8	FUS30001	FUSE	81	INT30004	ON/OFF BLACK SWITCH
11	GUA30015	GUARNIZIONE FORNO RIBASSATA UG0434	83	CER30004	PLASTIC HIGHER DOOR HINGE
14	JAC30002	JACK	91	PUL30006	DOOR MICRO SWITCH
15	LAM00001	LAMP COMPLETE	104	CPR00066	COPERCHIO USCITA VENTILATORE ASSIALE IX
16	MAG30045	MANIGLIA R020592-1625+AGGANCIO R020595			
18	MOR30004	TERMINAL			
19	PFU30001	FUSE HOLDER			
20	MOT30025	MOTOR			
23	POR00161	PORTA 6T SENSITIVE SERIE 10 NERO PIRON			
24	PRE00001	PROBE CONNECTOR			
25	MOT30031	***MOT.CAMINO 230V 50-60HZ HI-TECH SENS.METEOR 5515FD4313/00(MOT30040)			
27	RES30009	HEATING ELEMENT 4500W			
29	SEN30005	MAGNETIC SENSOR			
29	SEN30007	MAGNETS FOR MAGNETIC SENSOR			
31	SON30002	CHAMBER TEMPERATURE PROBE			
32	TAP30010	TAPPO INF.SX PLAST.MONTANTE VERT.PORTA			
32	TAP30012	TAPPO SUP.SX PLAST.MONTANTE VERT.PORTA			
33	TEL30005	CONTACTOR			
35	VAS30019	OVEN CONDENSATE TRAY 20-21 SERIES			
37	VEN30012	VENTOLA AIRTEK 200X55 7 PALE			
38	VET00161	ASSIEME VETRO EST.6T SENSITIVE SERIE 10 NERO PIRON			
39	VET01001	ASSIEME VETRO INTERNO 6T SERIE 10-11			
40	VIT30001	SCREW FOR LATERAL TRAY SUPPORT			
41	VIT30042	DEFLECTOR SCREW M5			
42	TAP30027	TAPPO PER LAVAGGIO			
43	VIT30059	PLASTIC SCREW FOR INTERNAL GLASS			
44	VIT30060	PLASTIC SCREW M5x15			
45	SCN00070	SCHIENA BOX ELETTRICO 6T SERIE 20-21			
48	FIA30069	LEFT OVEN PANEL			
52	FAC30040	FACCIATA SUPERIORE SERIE 20-21			
53	FAC30041	FACCIATA INFERIORE SERIE 20-21			
55	CPR00009	PROTECTION FOR CHIMNEY INOX			
59	TAP30013	PLASTIC CORNER			
60	TAP30019	CAP FOR WATER DISCHARGE			
61	PPC30003	CABLE GLAND M32X1,5 + NUT			
63	TAP30011	TAPPO DX PLAST.MONTANTE VERT.PORTA			
67	SCH30024	CONTROL BOARD			
72	SCH30006	MOTOR SPEED REGULATOR BOARD			
75	MOT30009	COOLING FAN MOTOR			