

USER' S MANUAL

Please inspect box contents to ensure you have received all components.



Stainless Steel Tabletop ×1



Stainless Steel Bottom Shelf ×1



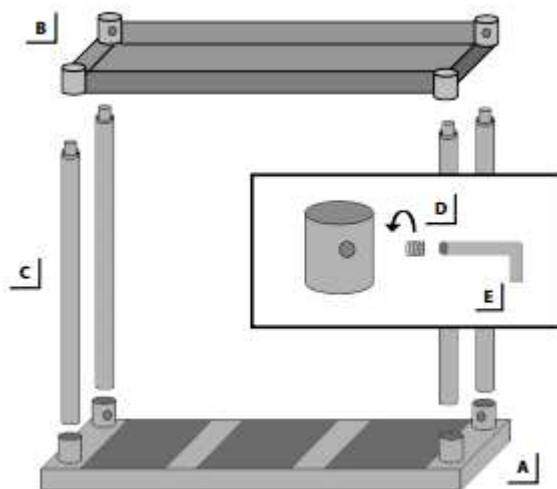
Stainless Steel Table Legs and Feet Levelers ×4
(Table Legs ship with Feet Levelers screwed into the Legs)



Hex Bolts ×4



Hex Key ×1



Step 1: Carefully remove all of the parts from the carton.

Step 2: Place Tabletop(A) upside-down on soft cloth surface to prevent scratches.

Step 3: Insert Legs(C) into the round slots on the bottom of the Tabletop(A).

Step 4: Slide the Bottom Shelf (B) over each Leg(C) and tighten the Hex Bolts(D) when your desired height is achieved. Use the Hex Key(E) to tighten the Hex Bolts(D) to fix the Bottom Shelf(B) to Legs(C).

Step 5: Adjust the Legs(C) so that they are level and firmly located in each socket. Tighten all bolts on the corner of the Bottom Shelf(B).

CAUTION: Please make sure the Hex Bolts(D) are fully tightened in order to fully support

recommended weight capacity.

Step 6: Turn the table over and set it upright. If there is any movement in the tale,the feet can be used to make adjustment and level the table ready for use.

NOTE: Before using the table,we recommend that you clean it thoroughly using a cleaning agent recommended for stainless steel,ensuring all cleaning agents and moisture are removed form the table top before use.